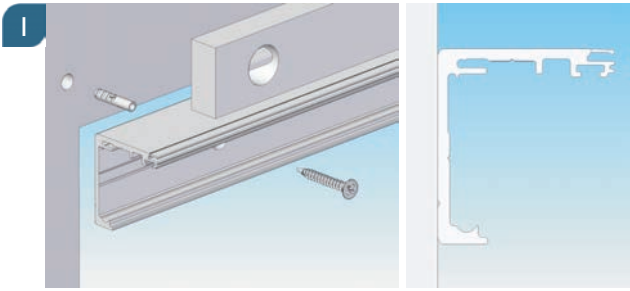


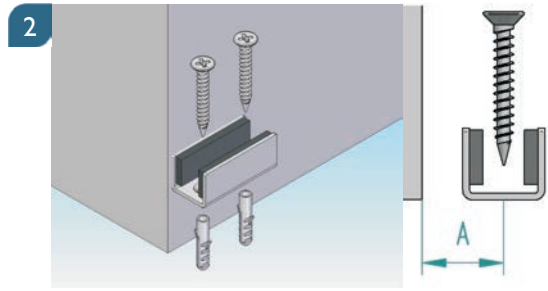
INSTRUCTIONS DE MONTAGE POUR LE KIT COULISSANT

réf. KC086



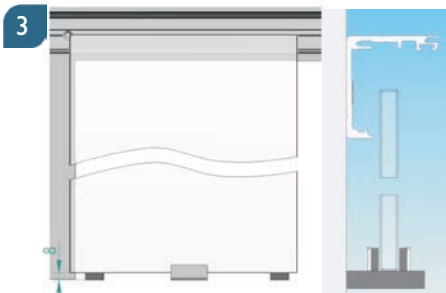
Track Rail Installation

- Make sure the wall is leveled before installation.
- Track rail is ready with mounting holes.
- Set the mounting height on the wall and drill the mounting holes.
- Make sure all the mounting holes in line for the track rail to work smoothly.
- For wooden wall, plastic plug is necessary for installation.



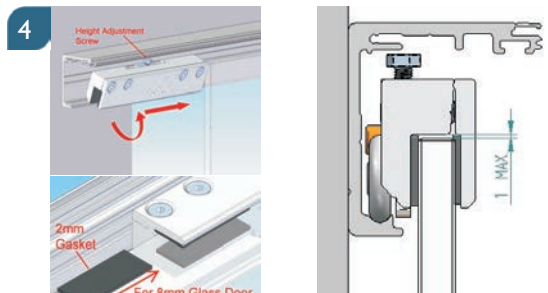
Door Guide Installation

- Install door guide on the floor as per positioning on below:
- 8mm glass A=21.5mm
- 10mm glass A=23.5mm



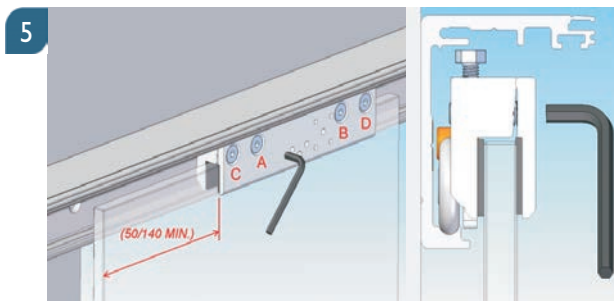
Glass Door Installation

- Put 8mm plastic gasket on two sides of the door guide.
- Make the glass door stand into the door guide and set it standing vertically.



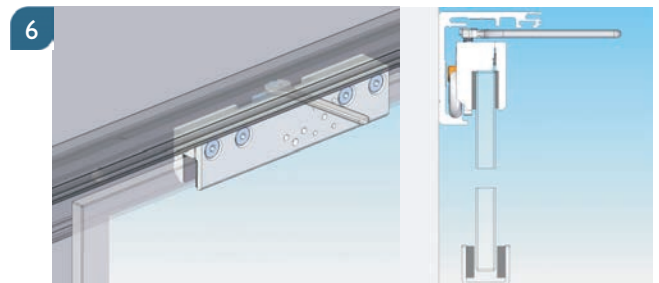
Clamp Installation

- Loosen screws on the clamp and put the roller into the track rail with clamp to hold the glass door.
- Make sure the gap between top surface of the glass door and the clamp less than 1mm.
- Adjust screw on top of the clamp to achieve the gap less than 1mm.
- Remarks: For 8mm glass, a 2mm gasket should be put on front side of the clamp.



Tighten The Clamp

- Minimum safe distance between side of the clamp and the door frame is 50/140mm
- .min 50mm: without damper
- .min 140mm: with damper
- Use 4mm Allen key to tighten the four fixing screws, following the steps of A-B-C-D, with 12N.m torque.

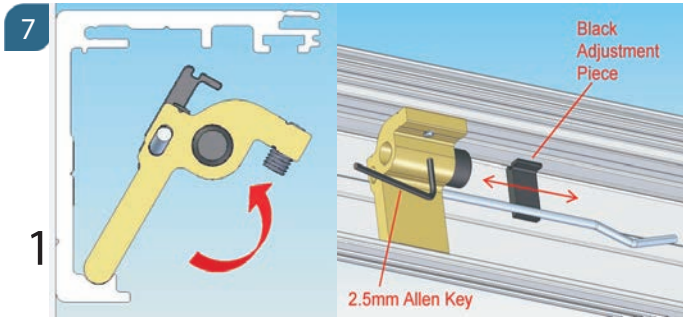


Adjust The Height Of Glass Door

- Loose the adjustable screws, as shown in the picture, to lift up the door and to take out the gasket on the floor, and then adjust the door to a proper height.
- For system without damper, please go to step 7.
- For system with damper, please skip step 7a and go directly to steps 8-11.

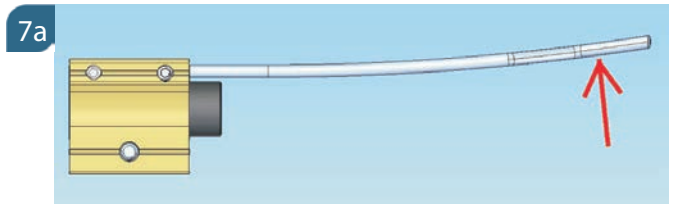
INSTRUCTIONS DE MONTAGE POUR LE KIT COULISSANT

réf. KC086



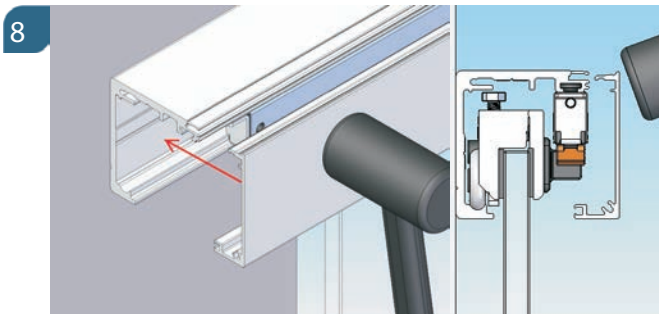
Door stop Installation

- Put the door stop into the track rail and use 2.5mm Allen key to fix it.
- Buffering power of the steel wire can be adjusted by moving the black adjustment piece.
- Remarks: For system with damper, there are no steel wire and black adjustment piece with the bumper.



Adjust The Steel Wire

- When braking force of the steel wire is not enough, take out the steel wire from the black adjustment piece and adjust it, as shown in figure 7a, then reset it.



Track Cover Installation

- Making sure the above steps are completed correctly, use rubber hammer, with slight hammering, to strike the track cover into groove of the track rail.

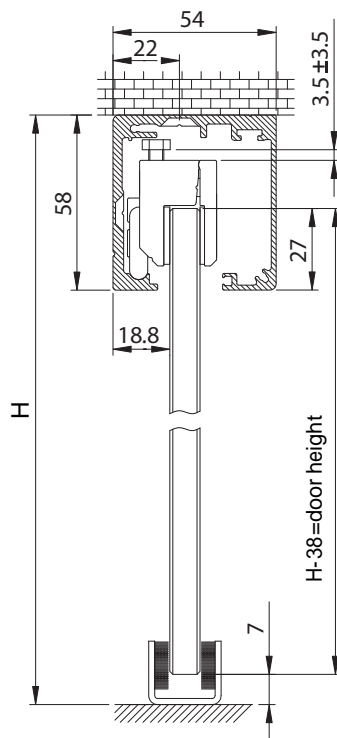
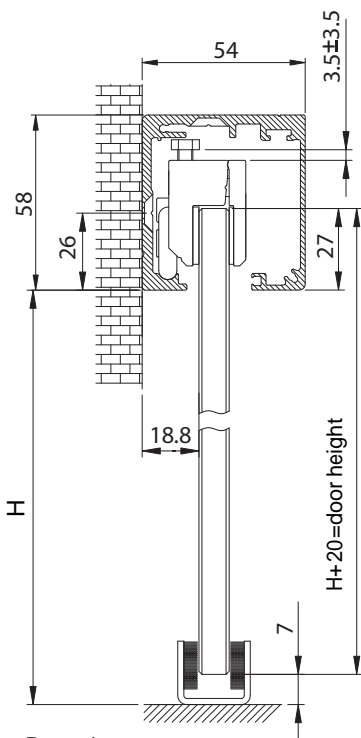
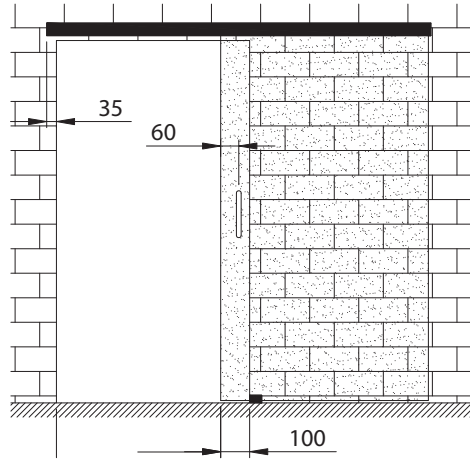
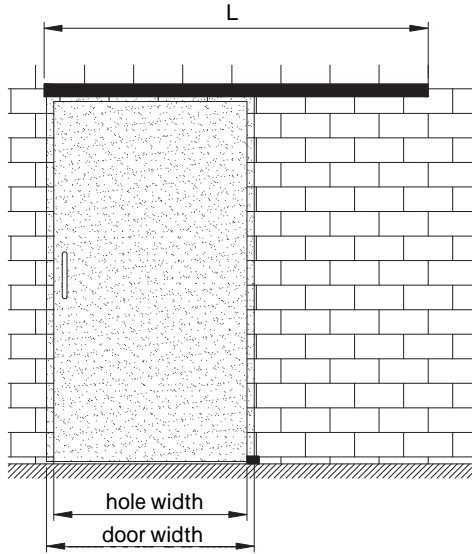


Side Cover Installation

- Use M3x6 screw to mount the side covers on right and left.
- Optional: For panel glass track guide, please follow steps of A-B-C to make the installation.

INSTRUCTIONS DE MONTAGE POUR LE KIT COULISSANT

réf. KC086



door width = hole width + 70mm

door height:
wall installation = $H + 20$ mm
ceiling installation = $H - 38$ mm

track rail length = door width x 2

For track rail length = 2000mm,
maximum hole width = 950mm
For track rail length = 2400mm,
maximum hole width = 1050mm

Loading capacity:
60~100 kgs with 2 track rollers
120 kgs with 4 track rollers



Please determine every relevant parameter as per guidelines in the instruction and the actual situation!

Remarks:

There must be a safe distance between the track rail and the door hole when determining the installation height.

KIT COULISSANT SUR RAIL ALU

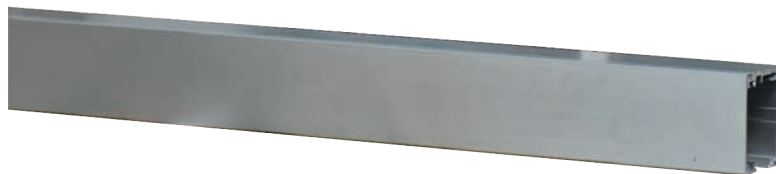
SYSTÈME DE FIXATION POUR PORTES COULISSANTES EN APPLIQUE EN VERRE

Type de porte
Portes intérieures en verre

Poids de porte
Maximum 80kg

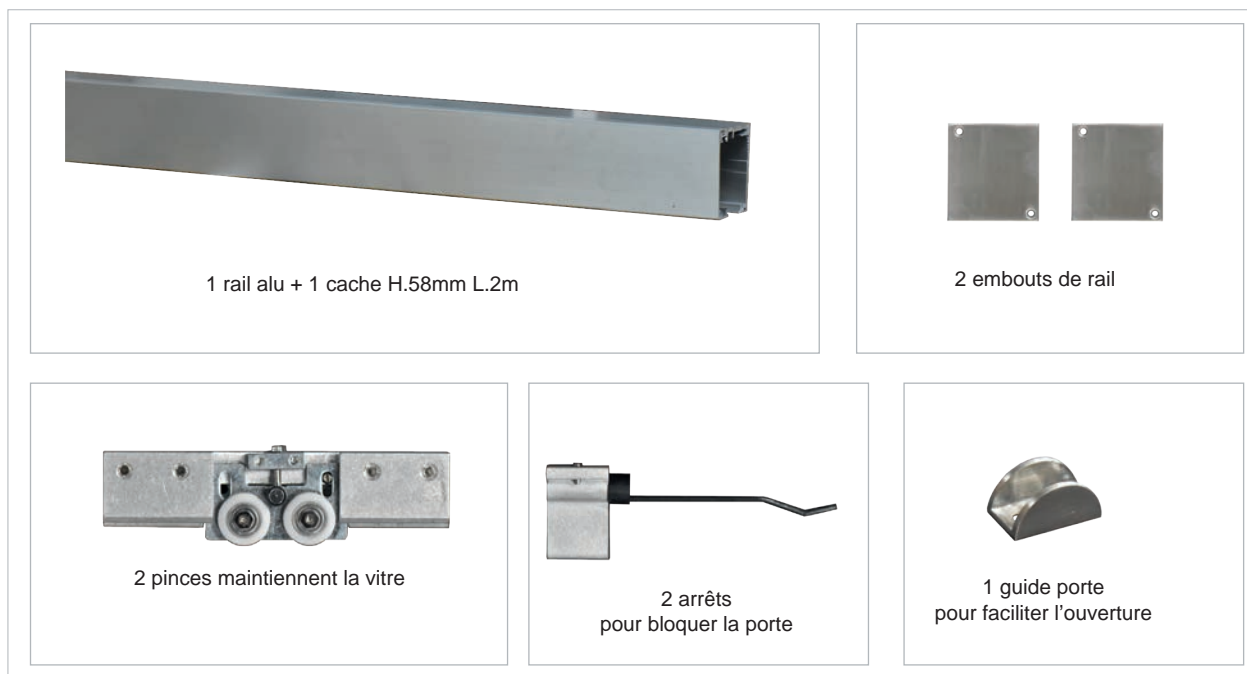
Épaisseur de porte
8 à 10 mm

Dimension de porte
+ de 750mm de large



Anodisé ARGENT
réf.KC086

Composition kit complet



Accessoires de fixation de rail en option

Cales (en option) pour une fixation sur mur avec plinthes



5 cales acier D.30x10mm réf.KC106



5 cales nylon noir 28x50mm réf.KC108

Avant la pose, vérifier la possibilité de montage sur doublages ou murs creux. Utilisation à l'intérieur.